



PROUDLY SUPPLIED TO THE US MILITARY
**KNIGHT
VISION™**

AN/PVS-22 A1 (UNIVERSAL NIGHT SIGHT MID RANGE)



FOR MORE INFO CONTACT:

KnightVisionSales@knightarmco.com

Phone: 321.607.9900

Fax: 321.268.1498

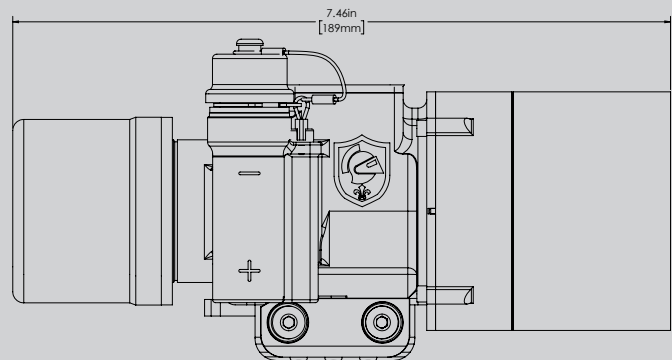
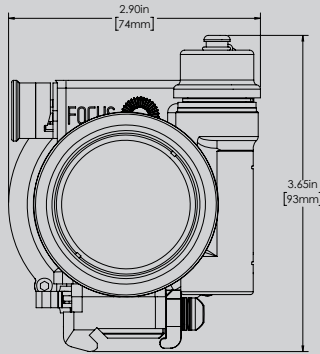
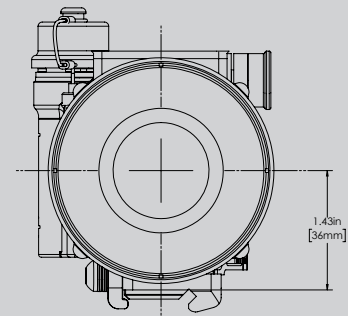
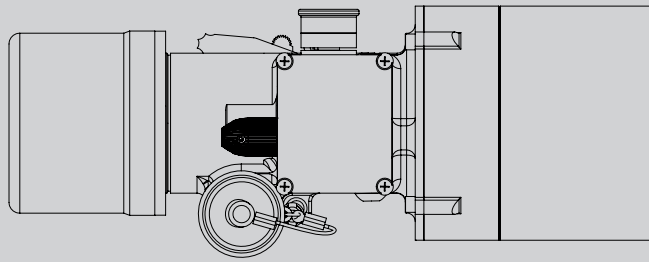
701 Columbia Blvd

Titusville, Florida 32780

The AN/PVS-22 A1 clip-on Weapon Sight adds the latest high performance night vision to the venerable AN/PVS-22. The catadioptric lens provides high performance light collection with an effective f/1.2 in a light weight design. For use with up to 10x magnification day optics, the PVS-22 has been in service on systems from the M4 to the M24, and now accepts both AA and CR123 single cell batteries in the improved A1 version.

© Knight's Armament Company. Printed and designed in the United States of America. No part of this publication may be reproduced without the prior written consent of Knight's Armament Company. Products are subject to change without notice. Knight's Armament Company is an ISO 9001 Certified Company. The products, product specifications, nomenclature, and availability of all items featured in this document are subject to change at the discretion of Knight's Armament Company. Products may be photographed with optional accessories. Some products are available in other colors.

ITAR STATEMENT: These item(s) are firearm or defense related goods. Export of the goods described herein is strictly prohibited without a valid export license issued by the US Department of State, Directorate of Defense Trade Controls as prescribed in International Traffic in Arms Regulation (ITAR), CODE OF FEDERAL REGULATIONS, Title 22, Parts 120-130. CAGE Code: 15002



SPECIFICATIONS

SIZE:	7.3" (185mm) long, 3.6" (92mm) high, 1.43" (36mm) to optical centerline
WEIGHT:	1.75 lbs. (.80kg)
FINISH:	Black matte or Desert Sand Brown, Corrosion Resistant
CONTROLS:	Pull On/Off Gain Control Knob, Manual Focus Ring
POWER:	One standard AA battery, or one CR 123 battery (Single Interchangeable Battery™)
MOUNT:	KAC single throw lever to MIL-STD-1913 rail
WATERPROOF:	3 ft. for 4 hours 66 ft optional

OPTICAL CHARACTERISTICS

Lens Design:	68mm Catadioptric Lens Design
Magnification:	1X (unity)
Focus Range:	20 Meters to Infinity
Bore sight:	Patented (US Patent 7,142,357) alignment technology proven in thousands of delivered sniper sights
Image Intensification:	ANVIS 18mm Configuration Image Intensified Tubes FOM Restrictions For Export May Apply

PERFORMANCE CHARACTERISTICS

Range:	Recognize a Standing Man under Starlight: >500 m
	Recognize a Standing Man under 1/4 Moon: >700 m
	Recognize a Vehicle Under Starlight >850 m
	Recognize a Vehicle under 1/4 Moon >1000m
Bore Sight:	Factory Bore Sight to within .5 MOA of alignment to the day scope point of impact
Bore sight retention:	< 0.5 MOA over 300 rounds, 300 WIN MAG firing Schedule
Weapons Certification:	Tested for use on weapons up to and including .50 caliber rifles
Cheek Weld:	Unchanged
Eye Relief:	Unchanged
Bullet Impact:	Unchanged

© Knight's Armament Company. Printed and designed in the United States of America. No part of this publication may be reproduced without the prior written consent of Knight's Armament Company. Products are subject to change without notice. Knight's Armament Company is an ISO 9001 Certified Company. The products, product specifications, nomenclature, and availability of all items featured in this document are subject to change at the discretion of Knight's Armament Company. Products may be photographed with optional accessories. Some products are available in other colors.

ITAR STATEMENT: These item(s) are firearm or defense related goods. Export of the goods described herein is strictly prohibited without a valid export license issued by the US Department of State, Directorate of Defense Trade Controls as prescribed in International Traffic in Arms Regulation (ITAR), CODE OF FEDERAL REGULATIONS, Title 22, Parts 120-130. CAGE Code: 15002