



PROUDLY SUPPLIED TO THE US MILITARY
**KNIGHT
VISION™**

UNS-Ti **(UNIVERSAL NIGHT SIGHT- THERMAL INDIVIDUAL)**



FOR MORE INFO CONTACT:

KnightVisionSales@knightarmco.com

Phone: 321.607.9900

Fax: 321.268.1498

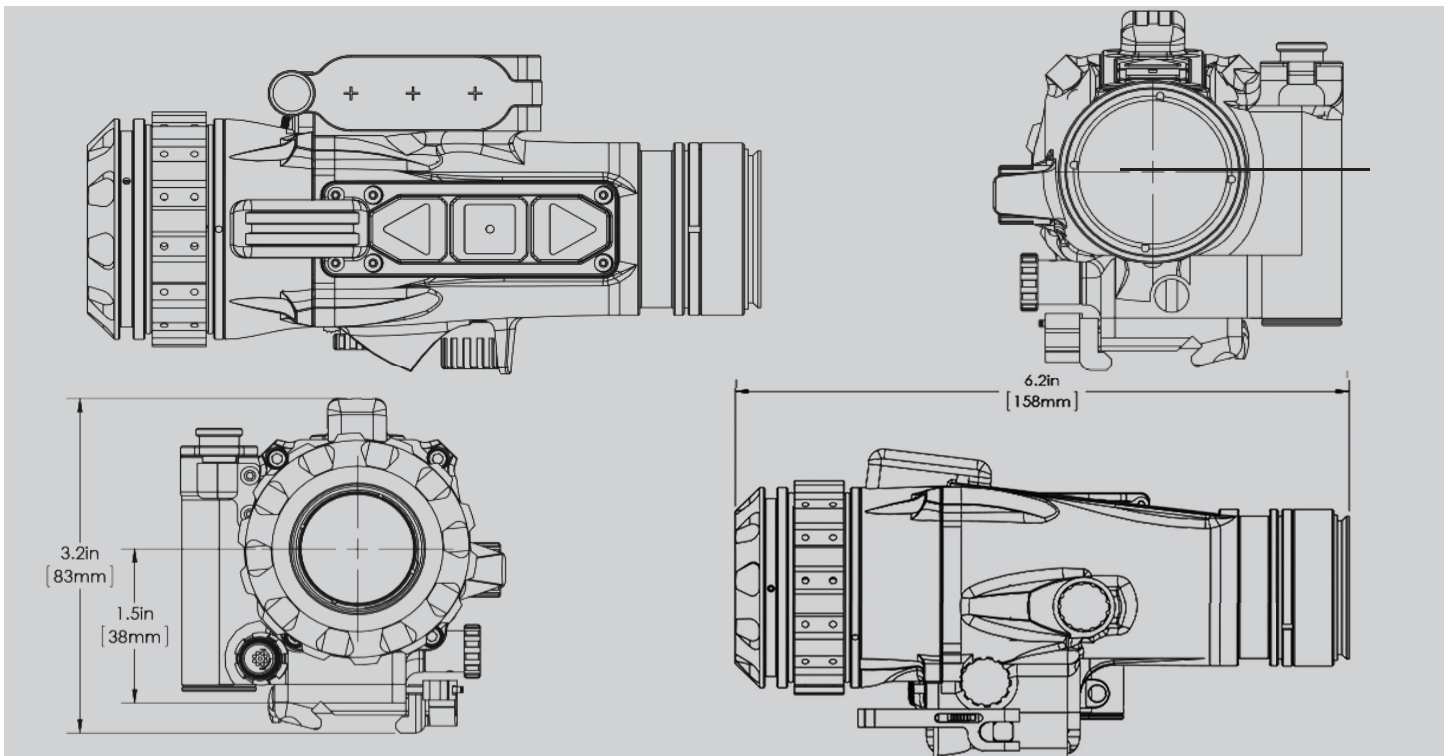
701 Columbia Blvd

Titusville, Florida 32780

The UNS-Ti Clip on Weapon Sight (WS) adds medium range, individual soldier, high resolution, (640x480 array, 17u), thermal capability to the existing rifle and day scope by attaching to the picatinny rail. It offers reduced target acquisition times and improved soldier effectiveness in daylight and clear air conditions as well as in degraded visibility conditions caused by adverse weather, dirty battlefield conditions and complete darkness. It's SWaP-C (size, weight and power – cost) architecture design represents a revolutionary quantum leap forward in soldier systems product technology. In addition to this uncooled VGA video format array, the UNS-Ti also incorporates a patent pending Ultra-Wide band wireless radio communications system with Rapid Target Acquisition (RTA) capability using multiple imagery display methodologies (goggle, helmet mounted, remote display, etc.) so that it can be used 1) in conjunction with a DVO interconnectivity, such that the UNS-Ti display output imagery serves as the input for the DVO, 2) as a stand-alone rail mounted WS or 3) as a Hand-Held imager.

© Knight's Armament Company. Printed and designed in the United States of America. No part of this publication may be reproduced without the prior written consent of Knight's Armament Company. Products are subject to change without notice. Knight's Armament Company is an ISO 9001 Certified Company. The products, product specifications, nomenclature, and availability of all items featured in this document are subject to change at the discretion of Knight's Armament Company. Products may be photographed with optional accessories. Some products are available in other colors.

ITAR STATEMENT: These item(s) are firearm or defense related goods. Export of the goods described herein is strictly prohibited without a valid export license issued by the US Department of State, Directorate of Defense Trade Controls as prescribed in International Traffic in Arms Regulation (ITAR), CODE OF FEDERAL REGULATIONS, Title 22, Parts 120-130. CAGE Code: 15002



SPECIFICATIONS

SIZE:	6.2" (158mm) long, 3.2" (83 mm) high, 1.5" (38mm) to optical centerline
WEIGHT:	<1.4 lbs. (.63kg)
FINISH:	Flat Black Matte, Corrosion Resistant, alternate finishes available
CONTROLS:	On/Off & Display Brightness control knob Auto/Manual Sensor Gain and Offset via menu control 3-button Keypad with user menu 3-button Tethered Remote with identical functions
POWER:	Three AA Lithium batteries and extensive power saving features/modes
BATTERY LIFE:	Three hours with 100% wireless duty cycle transmitting digital video Five hours with wireless off and auto-standby enabled
MOUNT:	KAC mount or quick attach / detach to MIL-STD-1913 rail or equivalent
WATERPROOF:	3 ft. for 4 hours
VIDEO:	Digital CameraLink or Analog RS-170 (NTSC)
COMMUNICATION:	RS-232/422 Serial
OPTIONAL ACCESSORIES:	3 button Tethered Remote with identical functions

OPTICAL CHARACTERISTICS

Operating Modes:	Standalone thermal sight with Digital Reticles and Clip-On thermal sight
Lens Design:	Refractive Germanium
Field of View (FOV):	>18 degrees
Magnification:	Unity with 2X digital zoom
Focus Range:	10 Meters to Infinity
Bore sight:	Patented (US Patent 7,142,357) alignment technology proven in thousands of delivered sniper sights
IR Sensor:	640 x 480 LWIR VOx, 17 µm pixel pitch (320X240 25 micron 14° FOV is available for export when licensing requires it)

PERFORMANCE CHARACTERISTICS

Range:	Recognize a Standing Man under Clear conditions: >1200 m Recognize a Standing Man under Dirty Battlefield: > 700 m
Bore Sight:	< 0.5 MOA
Bore sight retention:	< 0.5 MOA over temperature, vibration, and weapon firing
Weapons Certification:	Tested for use on weapons up to and including .50 caliber rifles
Wireless Communication:	The weapon sight utilizes KAC's Soldier Personal Area Network™ (SPAN™) ultra-wideband wireless communication technology to transmit and receive full motion digital video as well as meta-data, health, status, and commands to/from other devices on or near the soldier.

© Knight's Armament Company. Printed and designed in the United States of America. No part of this publication may be reproduced without the prior written consent of Knight's Armament Company. Products are subject to change without notice. Knight's Armament Company is an ISO 9001 Certified Company. The products, product specifications, nomenclature, and availability of all items featured in this document are subject to change at the discretion of Knight's Armament Company. Products may be photographed with optional accessories. Some products are available in other colors.

ITAR STATEMENT: These item(s) are firearm or defense related goods. Export of the goods described herein is strictly prohibited without a valid export license issued by the US Department of State, Directorate of Defense Trade Controls as prescribed in International Traffic in Arms Regulation (ITAR), CODE OF FEDERAL REGULATIONS, Title 22, Parts 120-130. CAGE Code: 15002