

JAMR DEVICE

JAMR-IN-0003



JAMR DEVICE — Overview/Instructions

J-ARM MODULAR REPLACEMENT DEVICE (DIGITAL/ANALOG)

DESCRIPTION — Shoe based fast attach/detach monocular holder

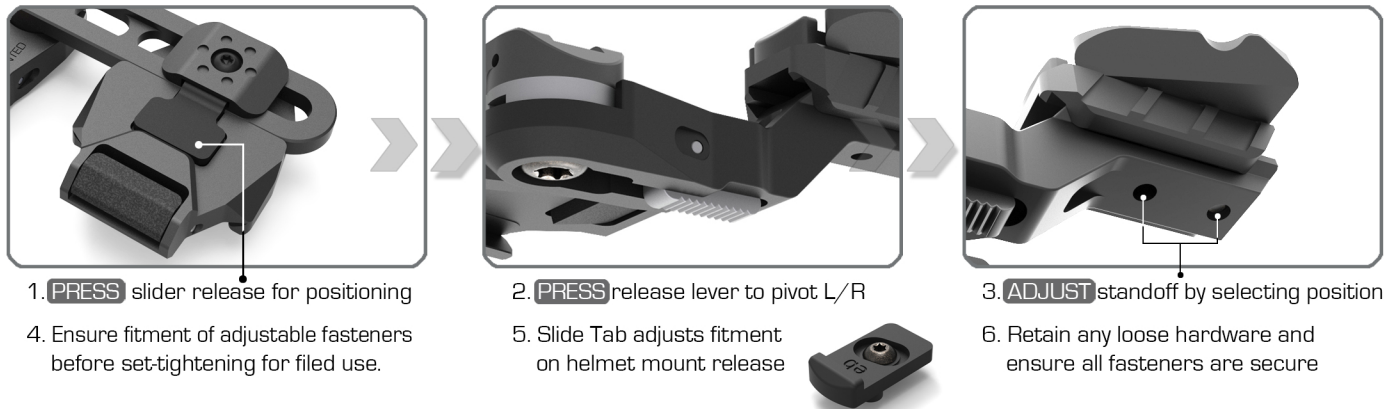


USE CAUTION —

- Modularity provides many options
- Understand design use/limitations
- Read instructions fully before assembly
- Do not modify any components for fit
- Do not over-stress materials or fasteners

INSTALLATION —

- Please loosen “ ” fasteners initially
- Do not force fit any components.



ITAR

RESTRICTED EXPORT. The item(s) are firearm or defense related goods governed by U.S. Government International Traffic in Arms Regulations 22 CFR, ITAR Parts 120-130 and therefore require an Export License issued by the U.S. Department of State to be subsequently transported outside of the United States. These items may not be transferred, transhipped on a non-continuous voyage, or otherwise be disposed of in any other country, either in their original form or after being incorporated into other end items. The International Traffic in Arms Regulations (ITAR) is a set of United States government regulations that control the export of defense-related articles and services on the United States Munitions List. These regulations implement the provisions of the Arms Export Control Act, and are described in Title 22 (Foreign Relations), Chapter (Department of State), Sub chapter M of the Code of Federal Regulations.

CAGE Code: 1S002
 DUNS No. 05-403-8138
 TIN: 59-1230657
 phone (321) 607-9900
 fax (321) 268-1498
 701 Columbia Blvd., Titusville, FL 32780
 www.KnightArmCo.com