

UNIVERSAL BRIDGE

UB-IN-0002

KVC

KNIGHT VISION

UNIVERSAL BRIDGE

Overview/Instructions

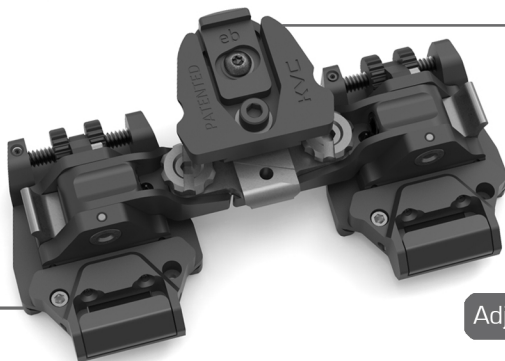
UNIVERSAL BRIDGE SYSTEM (DIGITAL/ANALOG)

DESCRIPTION

Shoe based fast attach/detach dual monocular holder

Optical Shoe Receiver

- Lateral thumbwheel adjustment
- Snap-in/quick release tab
- Titanium lock tabs
- Dedicated retention screws
- Tool-less modularity



- Three position settings
- Single bolt retention
- Adjustable tooth (helmet mount)
- Digital/analog monocular use

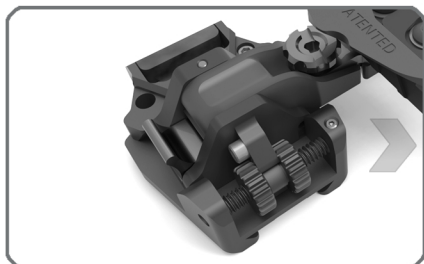
Adjustable Helmet Shoe

USE CAUTION

- Modularity provides many options
- Understand design use/limitations
- Read instructions fully before assembly
- Do not modify any components for fit
- Do not over-stress materials or fasteners

INSTALLATION

- Please follow instructions as provided
- Do not force fit any components



1. **ROLL** thumbwheel for IPD adjustment



2. **PRESS** tab to return to down position



3. **REMOVE** bolt to reposition helmet shoe

4. Reposition blue screw to interrupt accidental monocular removal



5. Slide Tab adjusts fitment on helmet mount release



6. Retain any loose hardware and ensure all fasteners are secure

ITAR

RESTRICTED EXPORT. The item(s) are firearm or defense related goods governed by U.S. Government International Traffic in Arms Regulations 22 CFR, ITAR Parts 120-130 and therefore require an Export License issued by the U.S. Department of State to be subsequently transported outside of the United States. These items may not be transferred, transhipped on a non-continuous voyage or otherwise be disposed of in any other country, either in their original form or after being incorporated into other end items. The International Traffic in Arms Regulations (ITAR) is a set of United States government regulations that control the export of defense-related articles and services on the United States Munitions List. These regulations implement the provisions of the Arms Export Control Act, and are described in Title 22 (Foreign Relations), Chapter (Department of State), Sub chapter M of the Code of Federal Regulations.

CAGE Code: 15002
DUNS No. 05-403-8138
TIN: 59-1230657

phone (321) 607-9900
fax (321) 268-1498

701 Columbia Blvd., Titusville, FL 32780
www.KnightArmCo.com