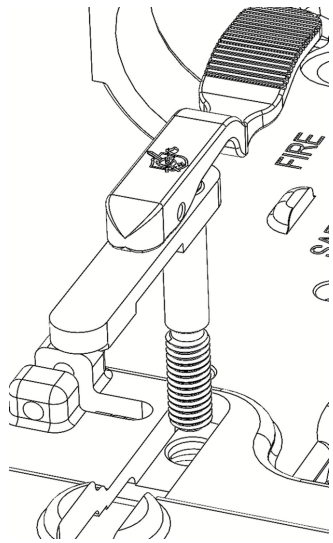


## AMBIDEXTROUS MAGAZINE RELEASE

### BASIC INSTRUCTIONS

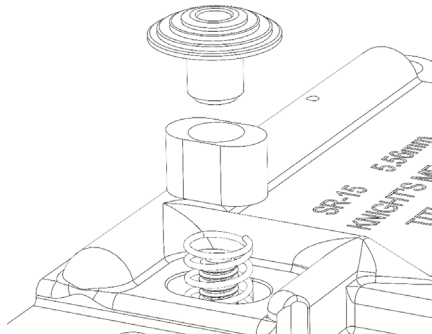
1. Insert magazine release from the left side of the Receiver.



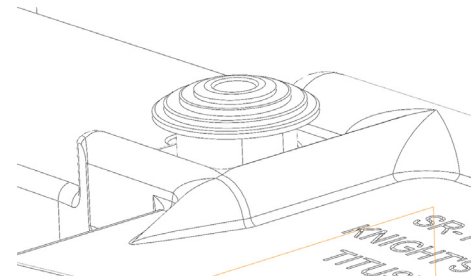
2. Install spring from other side.

3. Slide the Button shaft through the Bearing.

4. Rotate the button clockwise onto the magazine release shaft as the bearing enters the receiver recess.

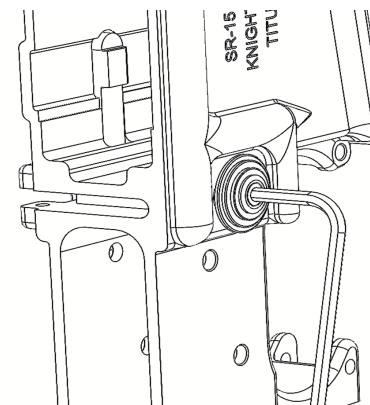


5. Continue tightening button until it sits flush with receiver while pushed. Magazine release lug should clear inside edge of magazine well and magazine should fall free.



6. Install & tighten set screw (3/32" Hex). (Medium strength Loctite on Set Screw recommended.)

*To disassemble, reverse this process.*





# KAC

---

## KNIGHTS ARMAMENT

phone (321) 607-9900  
fax (321) 268-1498  
701 Columbia Blvd., Titusville, FL 32780  
[www.KnightArmCo.com](http://www.KnightArmCo.com)  
CAGE Code: 1S002

**ITAR**  
International Traffic in Arms Regulations

RESTRICTED EXPORT. The item(s) are firearm or defense related goods governed by U.S. Government International Traffic in Arms Regulations 22 CFR, ITAR Parts 120-130 and therefore require an Export License issued by the U.S. Department of State to be subsequently transported outside of the United States. These items may not be transferred, transshipped on a non-continuous voyage, or otherwise be disposed of in any other country, either in their original form or after being incorporated into other end items. The International Traffic in Arms Regulations (ITAR) is a set of United States government regulations that control the export of defense-related articles and services on the United States Munitions List. These regulations implement the provisions of the Arms Export Control Act, and are described in Title 22 (Foreign Relations), Chapter (Department of State), Sub chapter M of the Code of Federal Regulations.