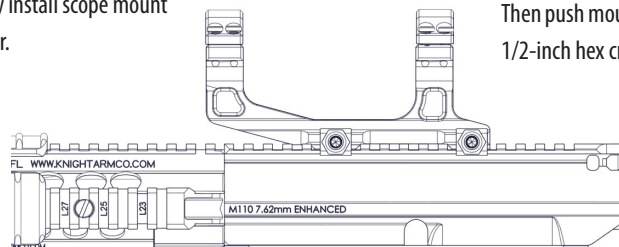


## SCOPE MOUNT

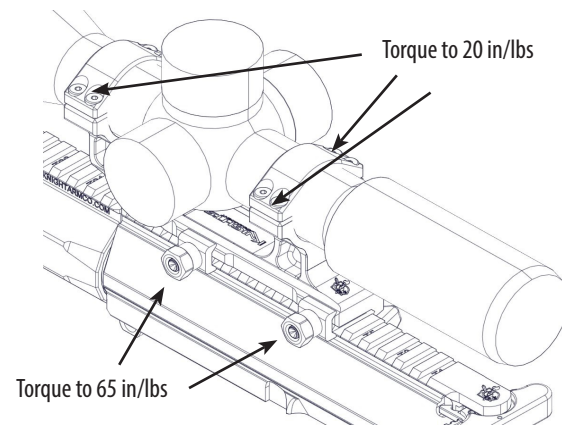
### BASIC INSTRUCTIONS

A. Initially install scope mount to receiver.



Then push mount forward as you finger tighten 1/2-inch hex cross bolt nuts.

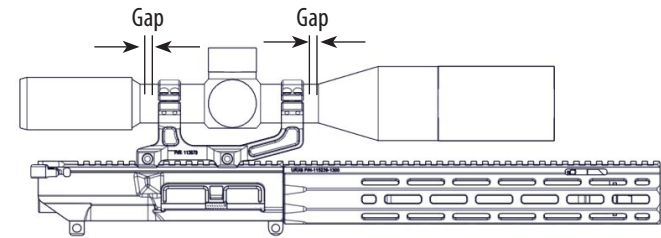
B. Install Ring Caps -Ensure gaps are even on both sides.



1. Install scope mount to receiver rail finger tight.

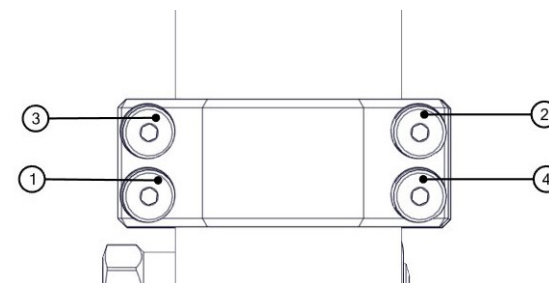
2. The scope and mount positions shown above should all for the appropriate eye relief and access to the charging handle. However, subsequent re-positioning of the mount in the upper receiver rail may be required to accommodate different shooters or firing positions.

3. Install the ring caps with the 3/32" hex screws provided with the mount. Ensure that the gaps between each cap and its base are equal on both sides of the mount.



General: Remove ring caps and clean away any oil or dirt from the scope and ring mating surfaces.

Position scope in mount with at least a 1/8" gap between the mount and areas of increased scope tube diameter such as the reticle illumination control or power ring.



4. Torque the cap screws by degrees (first to 10 in/lbs , Second to 15 in/lbs ), to a final 20 in/lbs with a properly calibrated torque driver while following the numbered pattern shown above. Ensure the gaps are equal while tightening.

5. Torque 1/2-inch hex base nuts to 65-in/lbs with a properly calibrated torque wrench.



# KAC

---

## KNIGHTS ARMAMENT

phone (321) 607-9900  
fax (321) 268-1498  
701 Columbia Blvd., Titusville, FL 32780  
[www.KnightArmCo.com](http://www.KnightArmCo.com)  
CAGE Code: 1S002

**ITAR**  
International Traffic in Arms Regulations

RESTRICTED EXPORT. The item(s) are firearm or defense related goods governed by U.S. Government International Traffic in Arms Regulations 22 CFR, ITAR Parts 120-130 and therefore require an Export License issued by the U.S. Department of State to be subsequently transported outside of the United States. These items may not be transferred, transshipped on a non-continuous voyage, or otherwise be disposed of in any other country, either in their original form or after being incorporated into other end items. The International Traffic in Arms Regulations (ITAR) is a set of United States government regulations that control the export of defense-related articles and services on the United States Munitions List. These regulations implement the provisions of the Arms Export Control Act, and are described in Title 22 (Foreign Relations), Chapter (Department of State), Sub chapter M of the Code of Federal Regulations.